

# Датчик движения DALI-PIR-SENSOR



## Summarization

DALI (Digital Addressable Lighting Interface) is an international standard, popular lighting control protocol, with digital addressing dimming, stable, various dimming ways, easy to install, compatible with many big factories such characteristic.

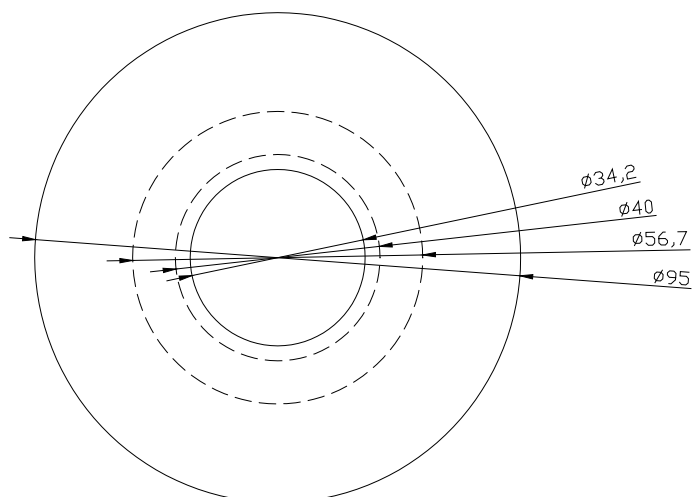
DALI multifunction sensor built-in human body induction and light induction, adopt advanced computer control chip, transfer these induction signal to DALI order to control DALI dimmer on bus, make the DALI system more intelligent.

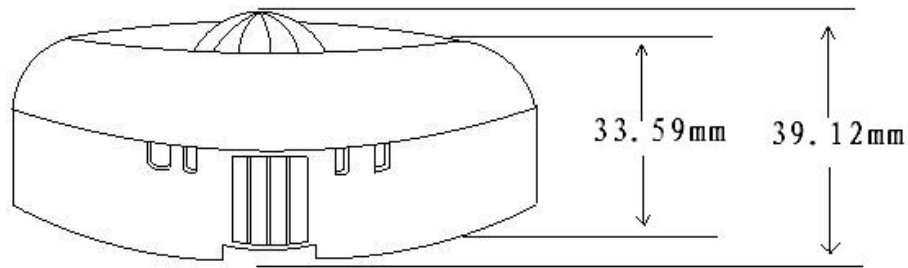
## Technical parameters

- Working temperature: -20-60°C
- Power supply: DALI bus power supply
- Input signal: human body induction, light induction signal.
- Output signal: standard DALI signal
- Input current:  $\leq 6\text{mA}$
- Gross weight: 122.5g
- Net weight: 78.5g
- External dimension:  $\pi \cdot R95 * R95 * H45\text{mm}$
- Packing size: L106 \* W106 \* H52mm
- Installed at a height of 2.5m, check range: 5m
- Light threshold set range: 3-100lx

## External Dimension:

Diameter size diagram





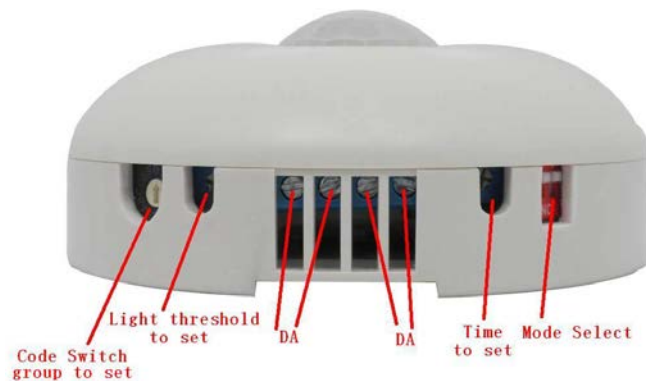
Side height sizes

### Operate instruction

- Timing length setting: rotate timing potentiometer (Time), can control timing length range is 1-20s, clockwise rotation can increase value.
- Illumination threshold value setting: rotate threshold value to setting potentiometer (CDS), can control illumination threshold range is 3-100lx, clockwise rotation can increase value.
- Human body, illumination control select, dial code switch (Mode) can setting control mode. Dial code way as below:

1	2	MODE
on	off	PIR
off	on	CDS
on	on	PIR&CDS
off	off	Disable

(Note: PIR-human body induction, CDS-light induction, Disable-invalid)



### Application phenomenon

- When set light induction control mode: when after the outside illuminance continuous less than setting threshold value for 10s, the control group of lamps and lanterns will light up slowly. When after the outside illuminance continuous more than setting threshold value for 10s, the control group of lamps and lanterns will put out slowly.
- When set human body induction mode: when induction for move body, it will light up the control group of lamps and lanterns, when it not induction move body, it will put out.
- When set human body induction and light induction control mode: when outside illuminance more than setting threshold illuminance, human body induction is disable, when outside illuminance less than setting threshold illuminance, human body induction is effective.

## Setting

Coding disc, 0-F can choose the control group of human body induction and light induction. Table of comparisons as below:

Group Selector Position rotating switch	Light Group	PIR Group
0	Broadcast	1
1	1	2
2	2	3
3...9	3...9	4...10
A...F	10...15	11...16

## Typical Application

Multiple sensors can exist in one DALI bus at the same time, DALI sensor can be activated by outside environment.

